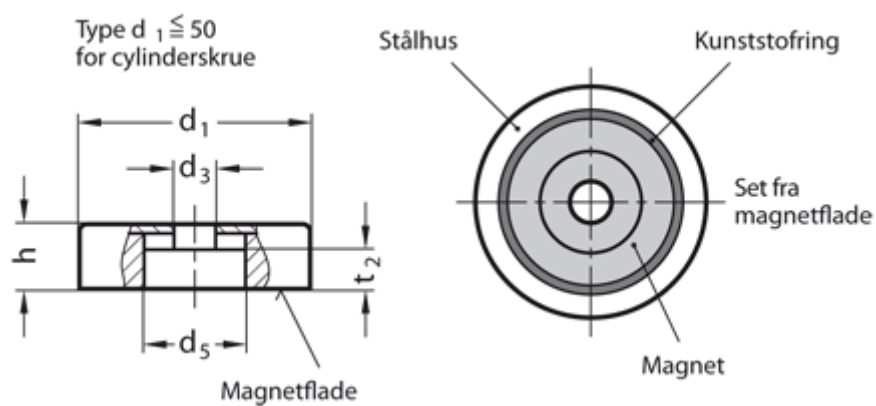


Article number: 20504ND16

Description: E+G Magnets with bore GN 50.4-ND-16-4,5-3,5
Hard ferrite - 200° C, 75N

Measures



d1	=	16 +0,1/-0,1
d3	=	
d5	=	
h	=	4,5 +0,1/-0,1
Holding force N	=	75
Material	=	HF Hård ferrit - 200° C
t2	=	